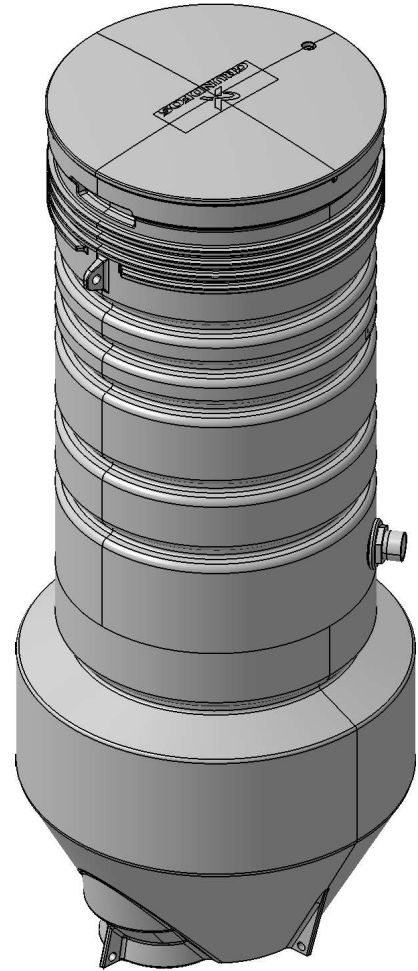
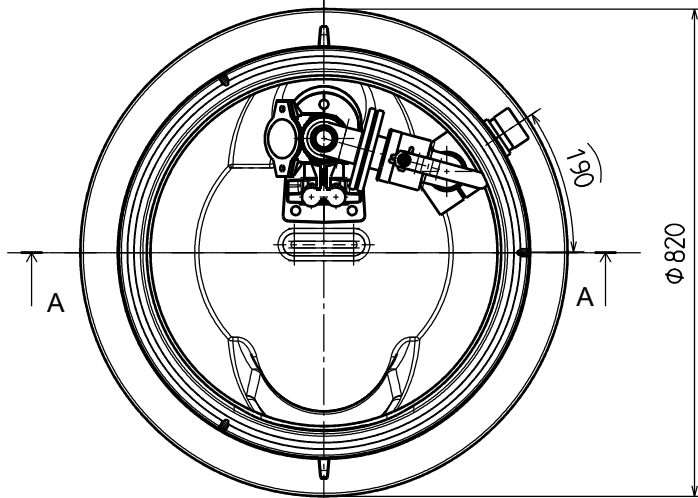
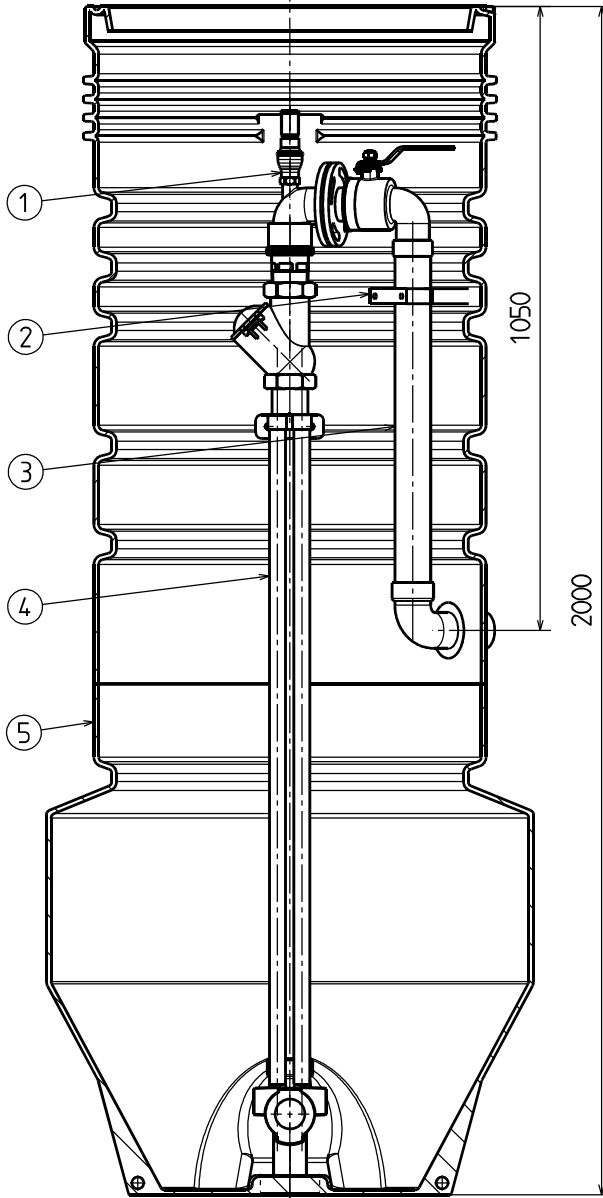


Section view A-A



No.	COMPONENT	DESCRIPTION
1	98597083	Vacuum valve
2	91713012	Pipe hanger DN50
3	96841119	Outlet pipe DN50
4	98168767	Pressure pipe DN50
5	96630851	Well with cover D800x2000

Basic Material No:			Scale: 1:10	Drawer: 72933	Date: 2018-09-21
Dimension of basic material:			Approved: 7113	Date: 2018-09-21	
Type of basic material:		Replaced by:		Replaced by:	
Drawing type: Assembly Drawing		Description: PS.R.08.20.S.GC.SS50. A50.SEG		Drawing No: 99302071	
Nominal net mass: kg		Projection:		Page: 1 of 1	
1244504	2018-09-21 DOVI	ISO FPS. All dimensions are in mm		Part Version: --- Doc. Revision: ---	
ECM No.	Date - Init				

GRUNDFOS
DK-8850 BJERRINGBRO DENMARK

As this is the property of GRUNDFOS a/s it must not be passed on to any person not authorized by GRUNDFOS or be copied or otherwise utilized by anybody without GRUNDFOS' expressed written permission.

Description: PS.R.08.20.S.GC.SS50. A50.SEG

Scale: 1:10	Drawer: 72933	Date: 2018-09-21
Approved: 7113	Date: 2018-09-21	

Replaced by:

Replaced by:

Page: 1 of 1